

20M Series Medium Pressure Fittings

20,000 psig (1379 bar)

Fittings
Tubing
Quick Couplings
Line Filters
Valves
Sour Service Products
Subsea Valves
Tools and Installation Instructions
Technical Information
Part Number Crossover Charts



Contents

Glands - MG



A-15

Collars - MCO



A-15

Plugs - MTP



A-16

Caps - MTC



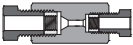
A-16

Unions - MU



A-16

Reducing Unions - MU



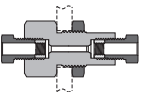
A-17

Unions (Slip Type) - MSU



A-17

Bulkhead Unions - MBU



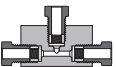
A-18

Union Elbows - MLU



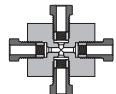
A-18

Union Tees - MT



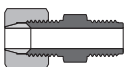
A-19

Union Crosses - MX



A-19

Anti-vibration Gland Assemblies - MAV



A-20

[Installation Instructions](#)

H-07

[Connection Information](#)

I-02

[Ordering Number Description](#)

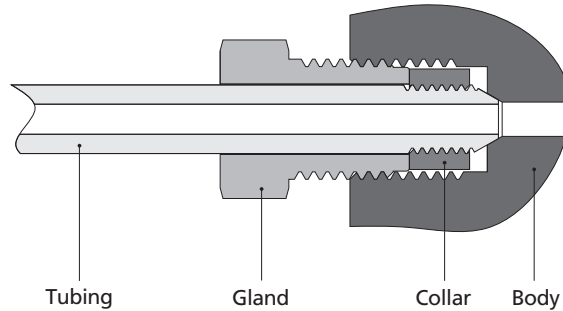
A-21

Fittings
Tubing
Quick Couplings
Line Filters
Valves
Scour Service Products
Subsea Valves
Tools and Installation Instructions
Technical Information
Part Number Crossover Charts

Features

- ⦿ Working pressure: 20,000 psig (1379 bar)
- ⦿ Working temperature range: -423°F to 1200°F (-252°C to 649°C)
- ⦿ Use with T20M series tubing as standard, tubing sizes available in 1/4", 3/8", 9/16", 3/4" and 1"
- ⦿ High tensile 316 stainless steel material
- ⦿ Every fitting marked with size, material and heat number

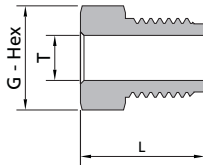
Construction



Ordering Information and Dimensions

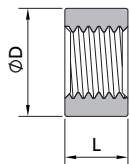
Dimensions are for reference only and are subject to change.

Glands



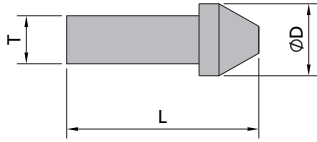
Tube			
T - Tube O.D. in.	Ordering Number	Dimensions, in. (mm)	
		G	L
1/4	SS-MG-MF4	0.50 (12.7)	0.58 (14.7)
3/8	SS-MG-MF6	0.63 (15.9)	0.73 (18.5)
9/16	SS-MG-MF9	0.94 (23.8)	0.88 (22.4)
3/4	SS-MG-MF12	1.19 (30.2)	1.00 (25.4)
1	SS-MG-MF16	1.38 (34.9)	1.38 (35.1)

Collars



Tube			
T - Tube O.D. in.	Ordering Number	Dimensions, in. (mm)	
		D	L
1/4	SS-MCO-MF4	0.38 (9.7)	0.22 (5.6)
3/8	SS-MCO-MF6	0.47 (11.9)	0.25 (6.4)
9/16	SS-MCO-MF9	0.72 (18.3)	0.31 (7.9)
3/4	SS-MCO-MF12	0.94 (23.8)	0.37 (9.4)
1	SS-MCO-MF16	1.25 (31.8)	0.50 (12.7)

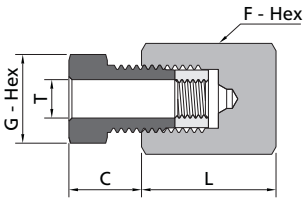
Plugs ^①



Tube			
T - Tube O.D. in.	Ordering Number	Dimensions, in. (mm)	
		D	L
1/4	SS-MTP-MF4	0.38 (9.7)	0.94 (23.8)
3/8	SS-MTP-MF6	0.47 (11.9)	1.18 (30.0)
9/16	SS-MTP-MF9	0.72 (18.3)	1.40 (35.6)
3/4	SS-MTP-MF12	0.94 (23.8)	1.69 (42.9)
1	SS-MTP-MF16	1.25 (31.8)	2.20 (55.9)

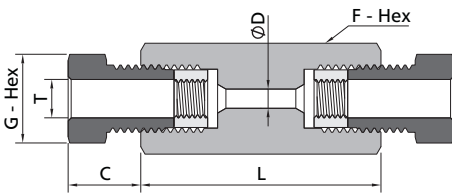
① When using plug, collar is not required.

Caps



Tube					
T - Tube O.D. in.	Ordering Number	Dimensions, in. (mm)			
		L	C	G	F
1/4	SS-MTC-MF4	0.81 (20.6)	0.38 (9.7)	0.50 (12.7)	0.63 (15.9)
3/8	SS-MTC-MF6	1.13 (28.6)	0.44 (11.2)	0.63 (15.9)	0.75 (19.1)
9/16	SS-MTC-MF9	1.38 (34.9)	0.55 (14.0)	0.94 (23.8)	1.00 (25.4)
3/4	SS-MTC-MF12	1.75 (44.5)	0.60 (15.2)	1.19 (30.2)	1.38 (34.9)
1	SS-MTC-MF16	2.25 (57.2)	0.74 (18.7)	1.38 (34.9)	1.75 (44.5)

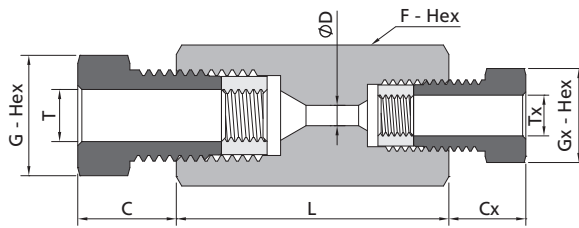
Unions



Tube						
T - Tube O.D. in.	Ordering Number	Dimensions, in. (mm)				
		L	C	D	G	F
1/4	SS-MU-MF4	1.62 (41.1)	0.38 (9.7)	0.11 (2.8)	0.50 (12.7)	0.63 (15.9)
3/8	SS-MU-MF6	1.75 (44.5)	0.44 (11.2)	0.20 (5.1)	0.63 (15.9)	0.75 (19.1)
9/16	SS-MU-MF9	2.14 (54.3)	0.55 (14.0)	0.31 (7.9)	0.94 (23.8)	1.00 (25.4)
3/4	SS-MU-MF12	2.50 (63.5)	0.60 (15.2)	0.44 (11.1)	1.19 (30.2)	1.38 (34.9)
1	SS-MU-MF16	3.50 (88.9)	0.74 (18.7)	0.56 (14.3)	1.38 (34.9)	1.75 (44.5)

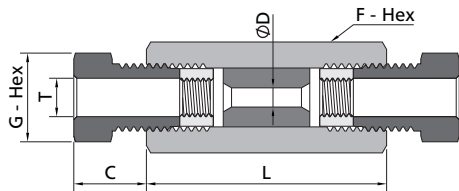
Fittings
Tubing
Quick Couplings
Line Filters
Valves
Sour Service Products
Subsea Valves
Tools and Installation Instructions
Technical Information
Part Number Crossover Charts

Reducing Unions



Tube										
T - Tube O.D. in.	Tx - Tube O.D. in.	Ordering Number	Dimensions, in. (mm)							
			L	C	Cx	D	G	Gx	F	
3/8	1/4	SS-MU-MF6-MF4	1.75 (44.5)	0.44 (11.2)	0.38 (9.7)	0.11 (2.8)	0.63 (15.9)	0.50 (12.7)	0.75 (19.1)	
9/16	1/4	SS-MU-MF9-MF4	2.00 (50.8)	0.55 (14.0)	0.38 (9.7)	0.11 (2.8)	0.94 (23.8)	0.50 (12.7)	1.00 (25.4)	
9/16	3/8	SS-MU-MF9-MF6	2.00 (50.8)	0.55 (14.0)	0.44 (11.2)	0.20 (5.1)	0.94 (23.8)	0.63 (15.9)	1.00 (25.4)	
3/4	1/4	SS-MU-MF12-MF4	2.25 (57.2)	0.60 (15.2)	0.38 (9.7)	0.11 (2.8)	1.19 (30.2)	0.50 (12.7)	1.38 (34.9)	
3/4	3/8	SS-MU-MF12-MF6	2.25 (57.2)	0.60 (15.2)	0.44 (11.2)	0.20 (5.1)	1.19 (30.2)	0.63 (15.9)	1.38 (34.9)	
3/4	9/16	SS-MU-MF12-MF9	2.50 (63.5)	0.60 (15.2)	0.55 (14.0)	0.31 (7.9)	1.19 (30.2)	0.94 (23.8)	1.38 (34.9)	
1	1/4	SS-MU-MF16-MF4	2.75 (69.9)	0.74 (18.7)	0.38 (9.7)	0.11 (2.8)	1.38 (34.9)	0.50 (12.7)	1.75 (44.5)	
1	3/8	SS-MU-MF16-MF6	2.88 (73.0)	0.74 (18.7)	0.44 (11.2)	0.20 (5.1)	1.38 (34.9)	0.63 (15.9)	1.75 (44.5)	
1	9/16	SS-MU-MF16-MF9	3.00 (76.2)	0.74 (18.7)	0.55 (14.0)	0.31 (7.9)	1.38 (34.9)	0.94 (23.8)	1.75 (44.5)	
1	3/4	SS-MU-MF16-MF12	3.00 (76.2)	0.74 (18.7)	0.60 (15.2)	0.44 (11.1)	1.38 (34.9)	1.19 (30.2)	1.75 (44.5)	

Unions (Slip Type)



Tube							
T - Tube O.D. in.	Ordering Number	Dimensions, in. (mm)					
		L	C	D	G	F	
1/4	SS-MSU-MF4	1.62 (41.1)	0.38 (9.7)	0.11 (2.8)	0.50 (12.7)	0.63 (15.9)	
3/8	SS-MSU-MF6	1.75 (44.5)	0.44 (11.2)	0.20 (5.1)	0.63 (15.9)	0.75 (19.1)	
9/16	SS-MSU-MF9	2.14 (54.3)	0.55 (14.0)	0.31 (7.9)	0.94 (23.8)	1.00 (25.4)	
3/4	SS-MSU-MF12	2.50 (63.5)	0.60 (15.2)	0.44 (11.1)	1.19 (30.2)	1.38 (34.9)	
1	SS-MSU-MF16	3.50 (88.9)	0.74 (18.7)	0.56 (14.3)	1.38 (34.9)	1.75 (44.5)	

Fittings

Tubing

Quick Couplings

Line Filters

Valves

Sour Service Products

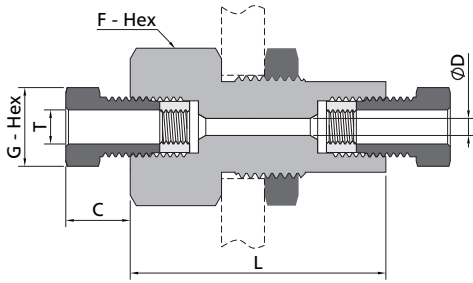
Subsea Valves

Tools and Installation Instructions

Technical Information

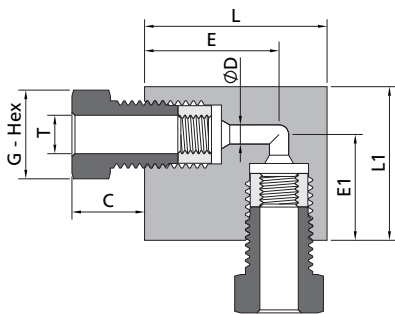
Part Number Crossover Charts

Bulkhead Unions



Tube		Dimensions, in. (mm)							
T - Tube O.D. in.	Ordering Number	L	C	D	G	F	Panel Hole Size	Max. Panel Thickness	
1/4	SS-MBU-MF4	1.88 (47.8)	0.38 (9.7)	0.11 (2.8)	0.50 (12.7)	1.00 (25.4)	0.81 (20.6)	0.38 (9.7)	
3/8	SS-MBU-MF6	2.00 (50.8)	0.44 (11.2)	0.20 (5.1)	0.63 (15.9)	1.06 (27.0)	0.94 (23.9)	0.38 (9.7)	
9/16	SS-MBU-MF9	2.38 (60.5)	0.55 (14.0)	0.31 (7.9)	0.94 (23.8)	1.38 (34.9)	1.13 (28.6)	0.38 (9.7)	
3/4	SS-MBU-MF12	2.62 (66.5)	0.60 (15.2)	0.44 (11.1)	1.19 (30.2)	1.88 (47.6)	1.69 (42.9)	0.38 (9.7)	
1	SS-MBU-MF16	3.50 (88.9)	0.74 (18.7)	0.56 (14.3)	1.38 (34.9)	2.13 (54.0)	1.94 (49.3)	0.38 (9.7)	

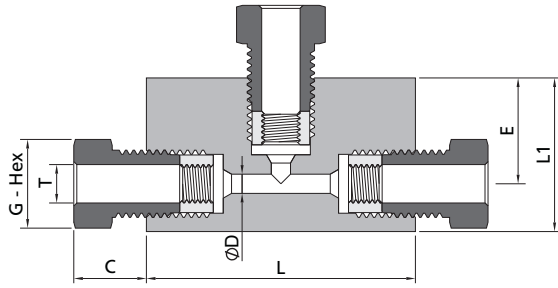
Union Elbows



Tube		Dimensions, in. (mm)								
T - Tube O.D. in.	Ordering Number	C	D	G	L	E	L1	E1	Thickness	
1/4	SS-MLU-MF4	0.38 (9.7)	0.11 (2.8)	0.50 (12.7)	1.12 (28.4)	0.75 (19.1)	1.12 (28.4)	0.75 (19.1)	0.63 (15.9)	
3/8	SS-MLU-MF6	0.44 (11.2)	0.20 (5.1)	0.63 (15.9)	1.38 (34.9)	1.00 (25.4)	1.38 (34.9)	1.00 (25.4)	0.75 (19.1)	
9/16	SS-MLU-MF9	0.55 (14.0)	0.31 (7.9)	0.94 (23.8)	1.75 (44.5)	1.25 (31.8)	1.75 (44.5)	1.25 (31.8)	1.00 (25.4)	
3/4	SS-MLU-MF12	0.60 (15.2)	0.44 (11.1)	1.19 (30.2)	2.25 (57.2)	1.50 (38.1)	2.25 (57.2)	1.50 (38.1)	1.38 (34.9)	
1	SS-MLU-MF16	0.74 (18.7)	0.56 (14.3)	1.38 (34.9)	3.00 (76.2)	2.06 (52.3)	3.00 (76.2)	2.06 (52.3)	1.75 (44.5)	

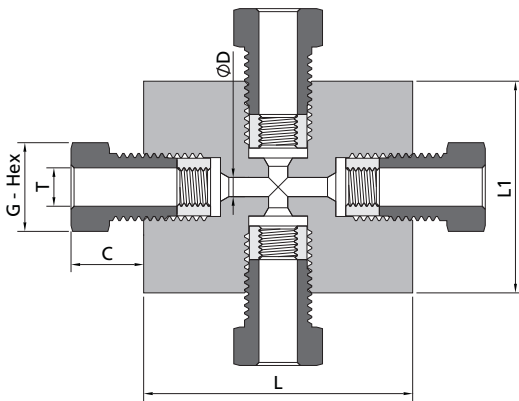
- Fittings
- Tubing
- Quick Couplings
- Line Filters
- Valves
- Sour Service Products
- Subsea Valves
- Tools and Installation Instructions
- Technical Information
- Part Number Crossover Charts

Union Tees



Tube		Dimensions, in. (mm)						
T - Tube O.D. in.	Ordering Number	C	D	G	L	L1	E	Thickness
1/4	SS-MT-MF4	0.38 (9.7)	0.11 (2.8)	0.50 (12.7)	1.50 (38.1)	1.12 (28.4)	0.75 (19.1)	0.63 (15.9)
3/8	SS-MT-MF6	0.44 (11.2)	0.20 (5.1)	0.63 (15.9)	2.00 (50.8)	1.38 (34.9)	1.00 (25.4)	0.75 (19.1)
9/16	SS-MT-MF9	0.55 (14.0)	0.31 (7.9)	0.94 (23.8)	2.50 (63.5)	1.75 (44.5)	1.25 (31.8)	1.00 (25.4)
3/4	SS-MT-MF12	0.60 (15.2)	0.44 (11.1)	1.19 (30.2)	3.00 (76.2)	2.25 (57.2)	1.50 (38.1)	1.38 (34.9)
1	SS-MT-MF16	0.74 (18.7)	0.56 (14.3)	1.38 (34.9)	4.12 (104.6)	3.00 (76.2)	2.06 (52.3)	1.75 (44.5)

Union Crosses



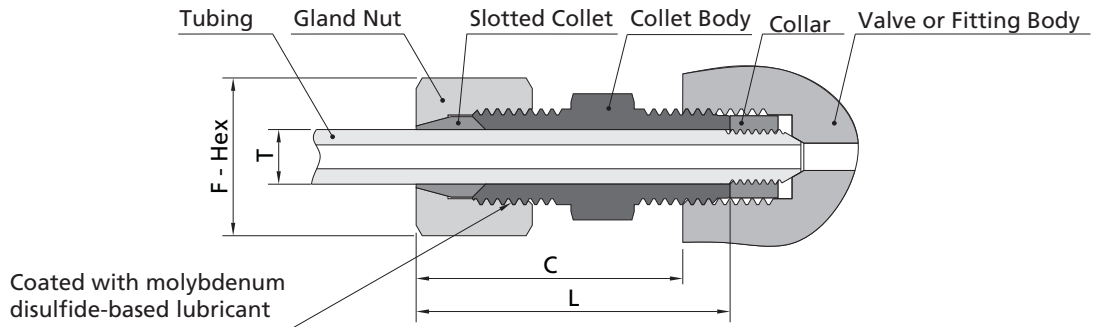
Tube		Dimensions, in. (mm)					
T - Tube O.D. in.	Ordering Number	C	D	G	L	L1	Thickness
1/4	SS-MX-MF4	0.38 (9.7)	0.11 (2.8)	0.50 (12.7)	1.50 (38.1)	1.50 (38.1)	0.63 (15.9)
3/8	SS-MX-MF6	0.44 (11.2)	0.20 (5.1)	0.63 (15.9)	2.00 (50.8)	2.00 (50.8)	0.75 (19.1)
9/16	SS-MX-MF9	0.55 (14.0)	0.31 (7.9)	0.94 (23.8)	2.50 (63.5)	2.50 (63.5)	1.00 (25.4)
3/4	SS-MX-MF12	0.60 (15.2)	0.44 (11.1)	1.19 (30.2)	3.00 (76.2)	3.00 (76.2)	1.38 (34.9)
1	SS-MX-MF16	0.74 (18.7)	0.56 (14.3)	1.38 (34.9)	4.12 (104.6)	4.12 (104.6)	1.75 (44.5)

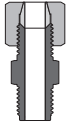
Anti-vibration Gland Assemblies

Working pressure: 20,000 psig (1379 bar)

Tubing systems may be subject to extreme vibration or shock. In such applications, these assemblies provide the same reliable connection as standard FITOK glands to essentially prolong vibrational fatigue life.

A complete ordering number for anti-vibration gland assembly (for example: SS-MAV-MF4) includes gland nut, slotted collet, collet body, collar and collet body. to order components with anti-vibration gland assemblies, add "-AV" to ordering number.



Tube					
Anti-vibration Gland Assemblies	T - Tube O.D. in.	Ordering Number	Dimensions, in. (mm)		
			L	C	F
	1/4	SS-MAV-MF4	1.24 (31.6)	1.05 (26.7)	0.63 (15.9)
	3/8	SS-MAV-MF6	1.50 (38.1)	1.22 (30.9)	0.81 (20.6)
	9/16	SS-MAV-MF9	1.78 (45.2)	1.42 (36.0)	0.94 (23.8)
	3/4	SS-MAV-MF12	2.00 (50.8)	1.61 (40.8)	1.38 (34.9)
	1	SS-MAV-MF16	2.38 (60.5)	1.74 (44.3)	1.50 (38.1)

- Fittings
- Tubing
- Quick Couplings
- Line Filters
- Valves
- Sour Service Products
- Subsea Valves
- Tools and Installation Instructions
- Technical Information
- Part Number Crossover Charts

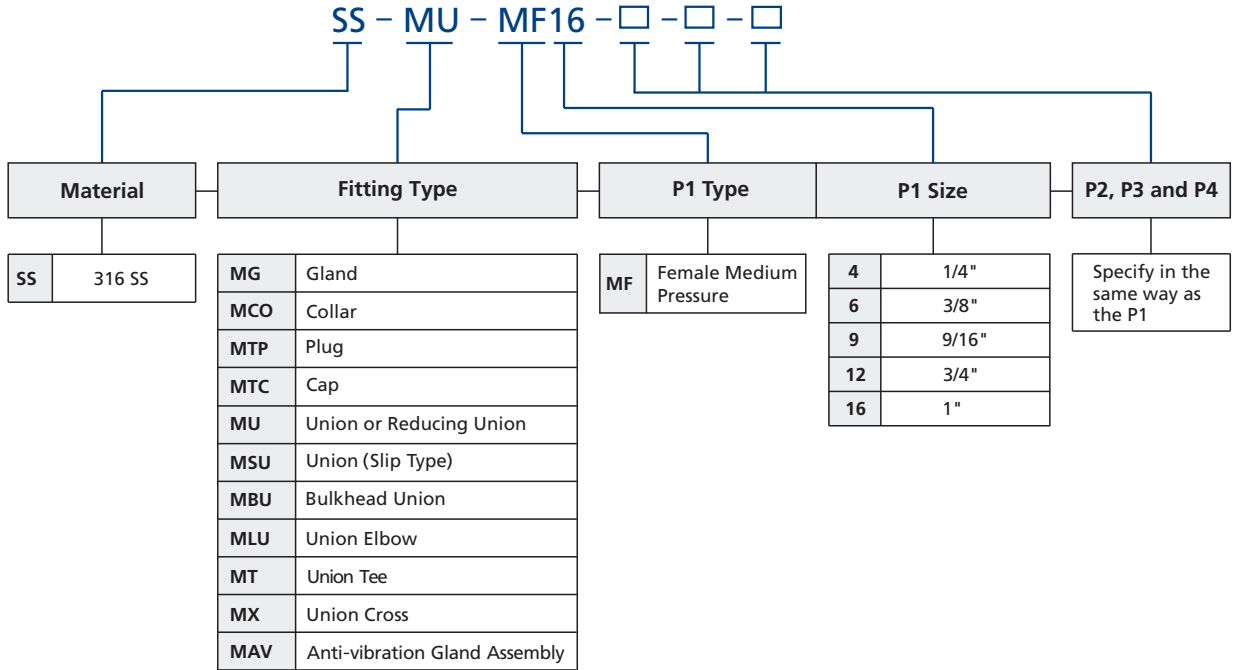
Installation Instructions

Please see H-07.

Connection Information

Please see I-02.

Ordering Number Description



NOTES: 1. For more details regarding Medium Pressure connection, please see **Connection Information** on I-02.

2. "Ordering Number Description" is a reference to understand the combination rules of FITOK product part number. Not all combinations are available.