

Pressure Control Panels

FSR-1 Series Pressure Control Panels for Single Cylinder

Features

- ⦿ With a FCR-1 Series Regulator
- ⦿ Maximum inlet pressure up to 4500 psig
- ⦿ With vent valves to relieve residual pressure quickly, easy and safe to remove and replace gas source
- ⦿ Anodized Aluminium panel
- ⦿ Bracket mounting as standard

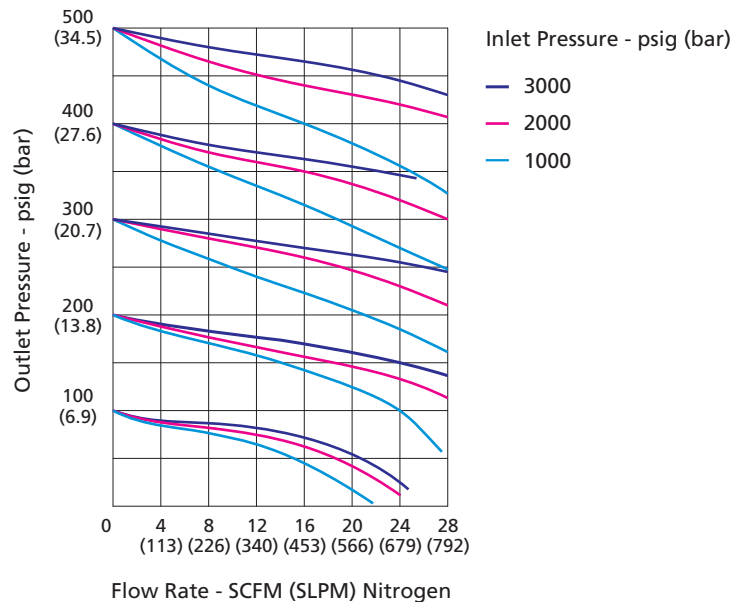
Technical Data

- ⦿ Maximum inlet pressure: 3000 or 4500 psig
- ⦿ Outlet pressure range: 0~25, 0~50, 0~100, 0~250 or 0~500 psig
- ⦿ Material of the main components:
 - Seat: PCTFE (regulator and diaphragm valve)
 - Diaphragm: Hastelloy (regulator), Elgiloy (diaphragm valve)
 - Diaphragm valve body: 316L
 - Filter: 316L
- ⦿ Temperature: -10°F~+150°F (-23°C~+65°C)
- ⦿ Leak rates:
 - Internal: $\leq 1 \times 10^{-7}$ mbar·l/s helium
 - External: $\leq 1 \times 10^{-9}$ mbar·l/s helium
- ⦿ Flow coefficient (regulator Cv): 0.06

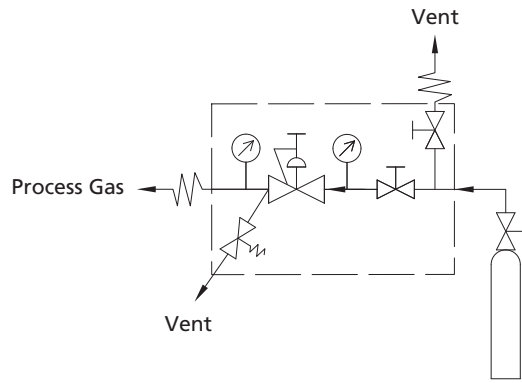


Model: FSR-16L-45-100-00-B-B-00-R-P

Typical Flow Chart

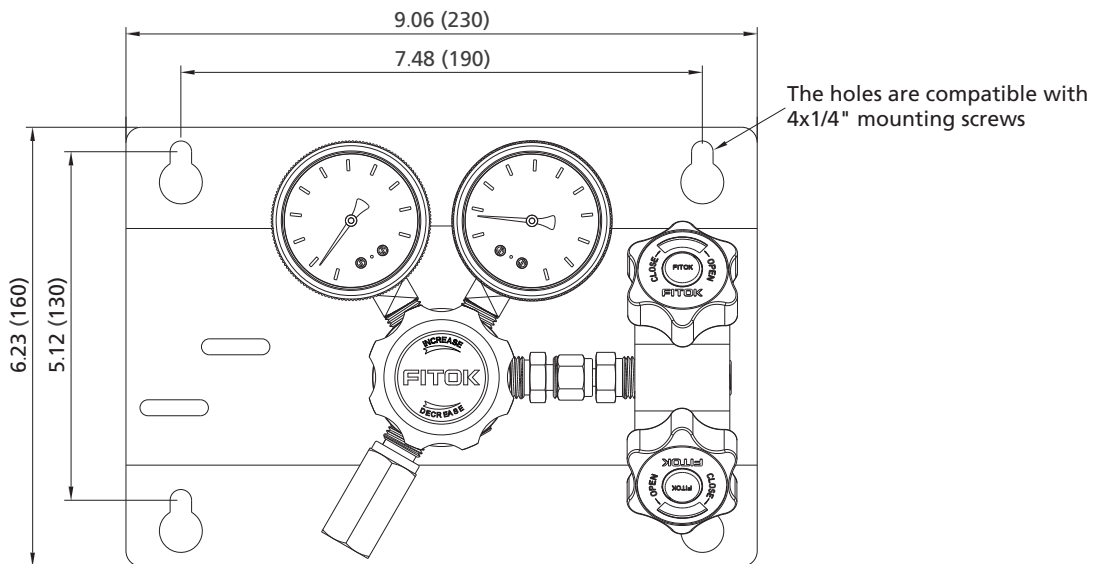
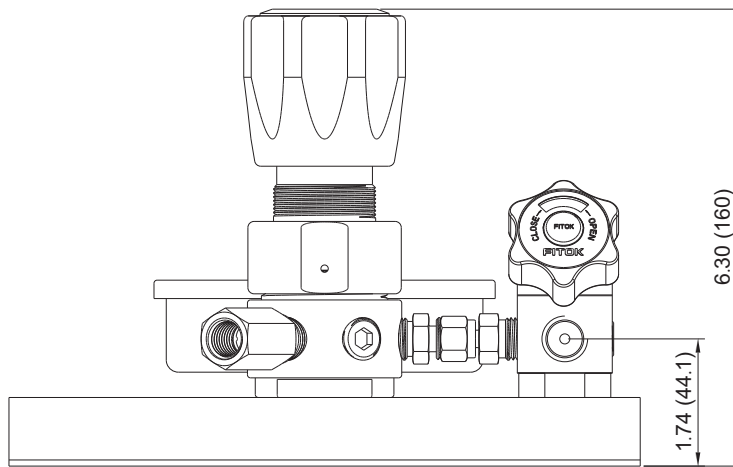


Flow Schematic

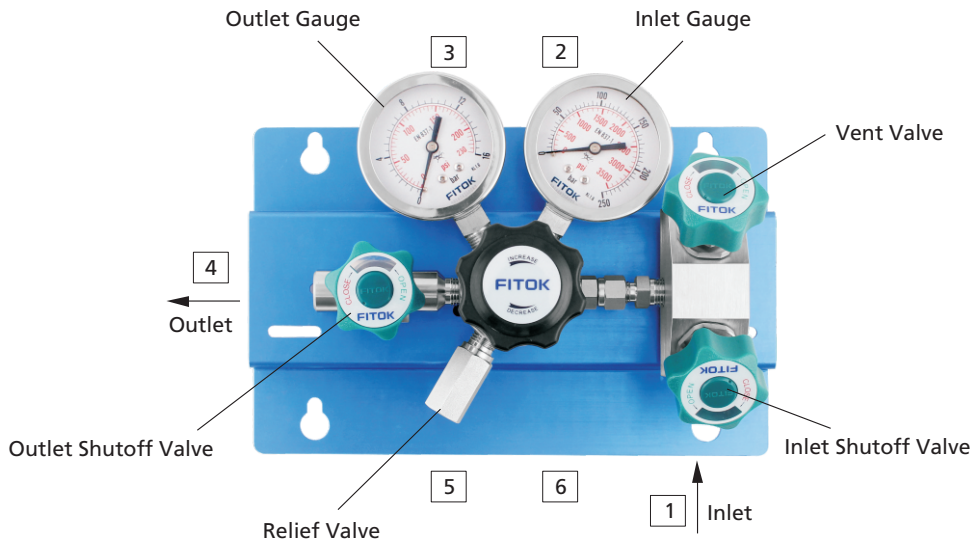


Dimensions

Dimensions, in inches (millimeters), are for reference only.



Components Introduction



Part Number Description

FSR – 16L – 30 – 50 – 00 – B – B – 30 – R – P

Body Material (Regulator)	Connection 1	Connection 2	Connection 4	Connection 5
6L 316L SS	00 1/4" Female NPT	B With Gauge (psi/bar)	00 1/4" Female NPT	R Relief Valve
SS 316 SS	01 1/4" Male NPT	M With Gauge (psi/MPa)	01 1/4" Male NPT	P Plug
HC Hastelloy C-276	10 1/4" Tube Fitting	P Plug	10 1/4" Tube Fitting	00 1/4" Female NPT
B Brass (Nickel-plated)	11 3/8" Tube Fitting	00 1/4" Female NPT	11 3/8" Tube Fitting	
	20 6 mm Tube Fitting		20 6 mm Tube Fitting	
	21 8 mm Tube Fitting		21 8 mm Tube Fitting	
	Other connections are available upon request		30 Diaphragm Valve with 1/4" Female NPT	
			31 Diaphragm Valve with 1/4" Male NPT	
			32 Diaphragm Valve with 1/4" Tube Fitting	
			33 Diaphragm Valve with 3/8" Tube Fitting	
			34 Diaphragm Valve with 6 mm Tube Fitting	
			35 Diaphragm Valve with 8 mm Tube Fitting	
			Other connections are available upon request	

Inlet Pressure P1	Connection 3	Connection 6
30 3000 psig	Same as Connection 2	Same as Connection 5
45 4500 psig		

Outlet Pressure Range P2
25 0~25 psig
50 0~50 psig
100 0~100 psig
250 0~250 psig
500 0~500 psig

Notes:

1. Most configurations are available.
2. Before ordering, please read **Installation Instructions and Cautions** on A-77.

Pressure Control Panels

FSR-2 Series High Pressure Control Panels for Single Cylinder

Features

- ⦿ With a FCR-2 Series Regulator
- ⦿ Applicable to non-corrosive gases or low-viscosity liquids
- ⦿ With vent valves to relieve residual pressure quickly, easy and safe to remove and replace gas source
- ⦿ Venting model available
- ⦿ Anodized Aluminium panel
- ⦿ Bracket mounting as standard

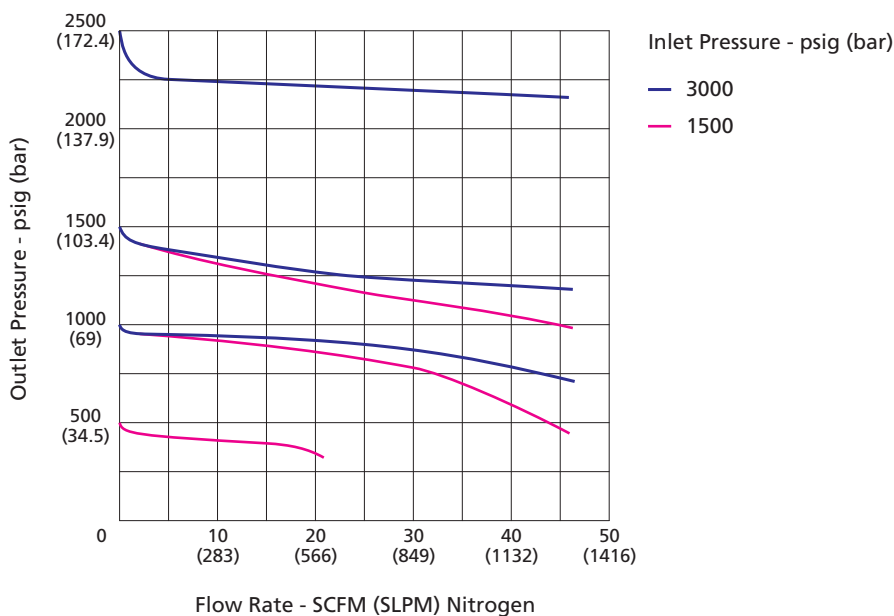
Technical Data

- ⦿ Maximum inlet pressure: 3000 or 4500 psig
- ⦿ Outlet pressure range: 0~750, 0~1500 or 0~2500 psig
- ⦿ Material of the main components:
 - Seat: PCTFE (regulator and diaphragm valve)
 - Piston: 316L
 - Diaphragm: Elgiloy (diaphragm valve)
 - Diaphragm valve body: 316L
 - O-ring: Viton or Kalrez
 - Filter: 316L
- ⦿ Temperature: -10°F~+150°F (-23°C~+65°C)
- ⦿ Leak rates:
 - Internal: Bubble-tight
 - External: Bubble-tight
- ⦿ Flow coefficient (regulator Cv):
 - Without vent: 0.06
 - With vent: 0.1

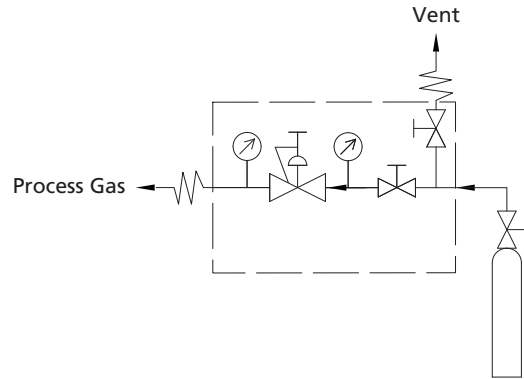


Model: FSR-2Z6L-45-750-00-B-B-00-P-P

Typical Flow Chart

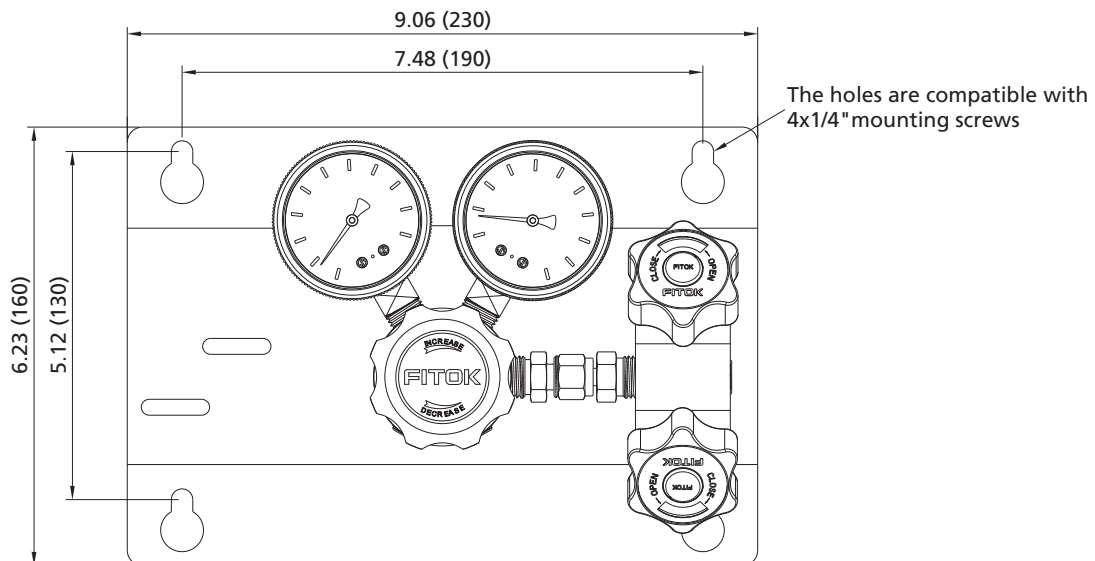
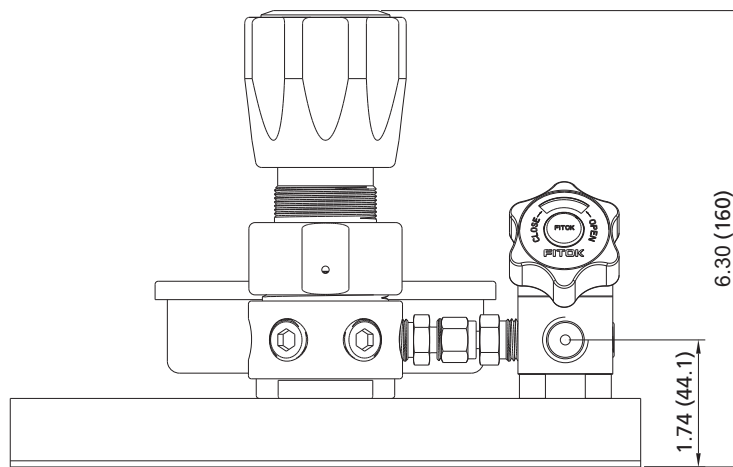


Flow Schematic

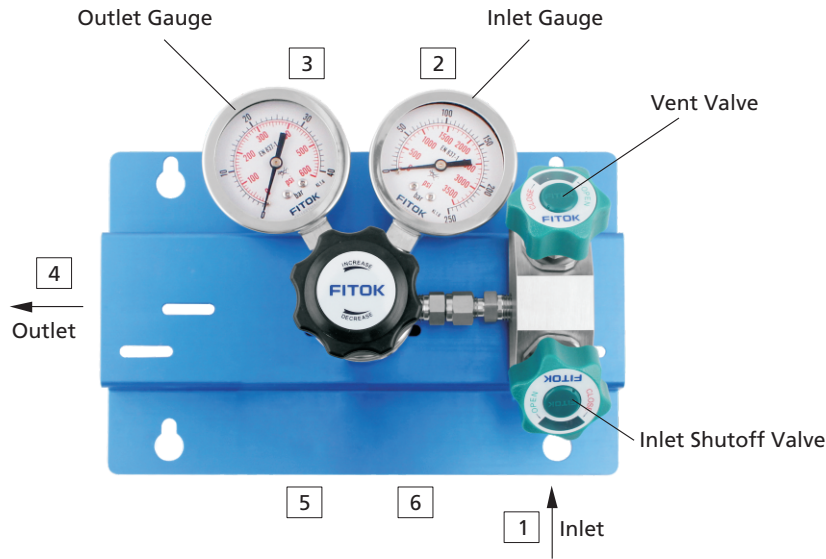


Dimensions

Dimensions, in inches (millimeters), are for reference only.



Components Introduction



Part Number Description

FSR - 2V Z 6L - 30 - 1500 - 00 - B - B - 30 - P - P

Vent Option	Inlet Pressure P1	Connection 1	Connection 2	Connection 4	Connection 5
Without	30 3000 psig	00 1/4" Female NPT	B With Gauge (psi/bar)	00 1/4" Female NPT	R Relief Valve
V With	45 4500 psig	01 1/4" Male NPT	M With Gauge (psi/MPa)	01 1/4" Male NPT	P Plug
O-ring Material	Outlet Pressure Range P2	10 1/4" Tube Fitting	P Plug	10 1/4" Tube Fitting	00 1/4" Female NPT
Viton	750 0~750 psig	11 3/8" Tube Fitting	00 1/4" Female NPT	11 3/8" Tube Fitting	Connection 6
Z Kalrez	1500 0~1500 psig	20 6 mm Tube Fitting	Connection 3	20 6 mm Tube Fitting	Same as Connection 5
Body Material (Regulator)	2500 0~2500 psig	21 8 mm Tube Fitting	Same as Connection 2	21 8 mm Tube Fitting	
6L 316L SS		Other connections are available upon request		30 Diaphragm Valve with 1/4" Female NPT	
SS 316 SS				31 Diaphragm Valve with 1/4" Male NPT	
B Brass (Nickel-plated)				32 Diaphragm Valve with 1/4" Tube Fitting	
				33 Diaphragm Valve with 3/8" Tube Fitting	
				34 Diaphragm Valve with 6 mm Tube Fitting	
				35 Diaphragm Valve with 8 mm Tube Fitting	
				Other connections are available upon request	

Notes:

1. Most configurations are available.
2. Before ordering, please read **Installation Instructions and Cautions** on A-77.